

Fan Coil Unit, 2-way, Internal thread



Type Overview

Type	DN	Rp ["]	Kvs [m ³ /h]	PN
Z215S-24	15	1/2	1.7	20
Z215S-230	15	1/2	1.7	20
Z220S-24	20	3/4	2.2	20
Z220S-230	20	3/4	2.2	20
Z225S-24	25	1	2.6	20
Z225S-230	25	1	2.6	20
Z225S-230-80B	25	1	6.5	20

Technical data

Electrical data	Nominal voltage	AC 24 V (Z2..S-24) / 230 V (Z2..S-230)
	Nominal voltage note	±10%
	Nominal voltage frequency	50/60 Hz
	Power consumption in operation	6.5 W
	Power consumption for wire sizing	7 VA
	Connection supply / control	Cable 1 m, 2x 0.75 mm ²
Functional data	Running time motor	13...18 s
	Running time fail-safe	4...5 s
	Fluid	Cold and hot water, water with max. 50% volume of glycol
	Fluid temperature	0...93°C [32...199°F]
	Fluid temperature note	(non-freezing)
	Close-off pressure Δps	414 kPa
	Pipe connection	Internal thread
	Servicing	maintenance-free
Safety data	Ambient temperature	0...50°C [32...122°F]
Materials	Valve body	Forged brass
	Spindle	Nickel-plated brass

Safety notes



- This device has been designed for use in stationary heating, ventilation and air-conditioning systems and must not be used outside the specified field of application, especially in aircraft or in any other airborne means of transport.
- Only authorised specialists may carry out installation. All applicable legal or institutional installation regulations must be complied with during installation.
- The device may only be opened at the manufacturer's site. It does not contain any parts that can be replaced or repaired by the user.
- The device contains electrical and electronic components and must not be disposed of as household refuse. All locally valid regulations and requirements must be observed.

Product features

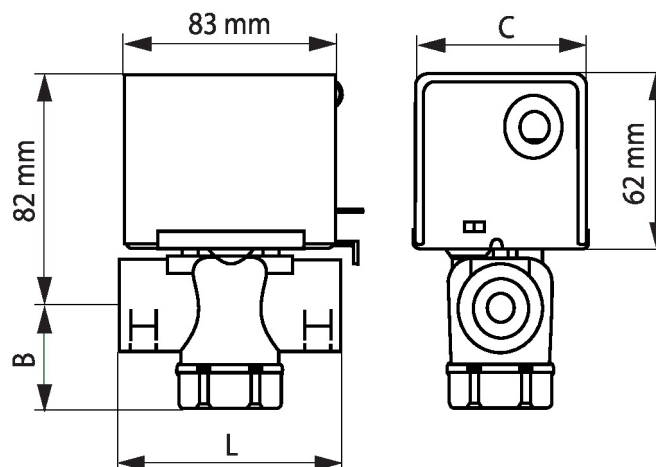
- Operating mode** The actuator consists of a synchronous motor with spring-return function, which is available in most common used voltages. The valve is normally closed. The valve body is made of forge brass. The actuator body consists of a stainless steel base plate with an aluminum alloy cover. The water is regulated with the use of a special rubber flap, which will close the valve air-bubble tight.
- Application** The Z2..S-... Zone Valves are intended for the use in control terminal units such as fan-coil and VAV boxes in heating, ventilation and air-conditioning systems. The valves can be used with hot and cold water in the temperature range from 0°C (non-freezing) to 93°C.
- Manual override** Manual operation lever: Move the lever slowly and hold it in the retaining notch, then the valve is opened. The lever goes back to the automatic position when the valve is first powered on.
- Combination valve/actuator** Valve actuator can be easily detached by push lever. Installation or maintenance can be more flexible.

Installation notes


- Permissible installation orientation** The valve should be mounted in a weather-protected area in a location that is within the ambient limits of the actuator. Allow sufficient room for actuator and service. The valve must be installed with the spindle above the horizontal level. The flow direction is indicated on the valve body. Do not reverse flow direction.

Dimensions

Dimensional drawings



Dimensions

Type	DN	Rp [" ^o "]	A [mm]	B [mm]	C [mm]	 kg
Z215S-24	15	1/2	70	23	66	0.70
Z215S-120	15	1/2	70	23	66	0.70
Z215S-230	15	1/2	70	23	66	0.70
Z220S-24	20	3/4	87	23	66	0.85
Z220S-120	20	3/4	87	23	66	0.85
Z220S-230	20	3/4	87	23	66	0.85
Z225S-24	25	1	96	26	66	1.0
Z225S-230	25	1	96	26	66	1.0
Z225S-230-80B	25	1	96	26	66	1.0