

TEMPERATURE CONTROLLERS



TR 13_2D-__

FEATURES

- Microprocessor based with / without LED display
- 2-position, 3-point or 0-10Vdc output
- Fan speed and Heat/Cool changeover switch options
- Automatic Heat/Cool changeover option through external temperature sensor



TR 13_0D-__

BENEFITS

- High accuracy
- Fast response
- Long life
- Easy to operate
- Digital display

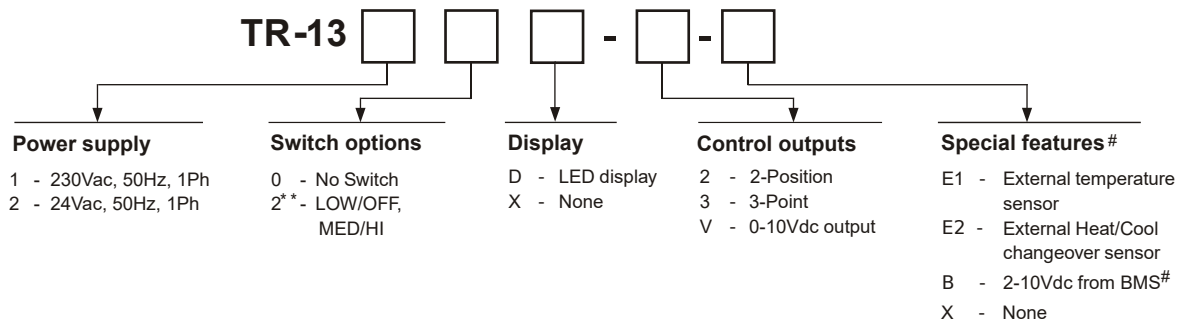


TR 13_0-__

TECHNICAL DATA

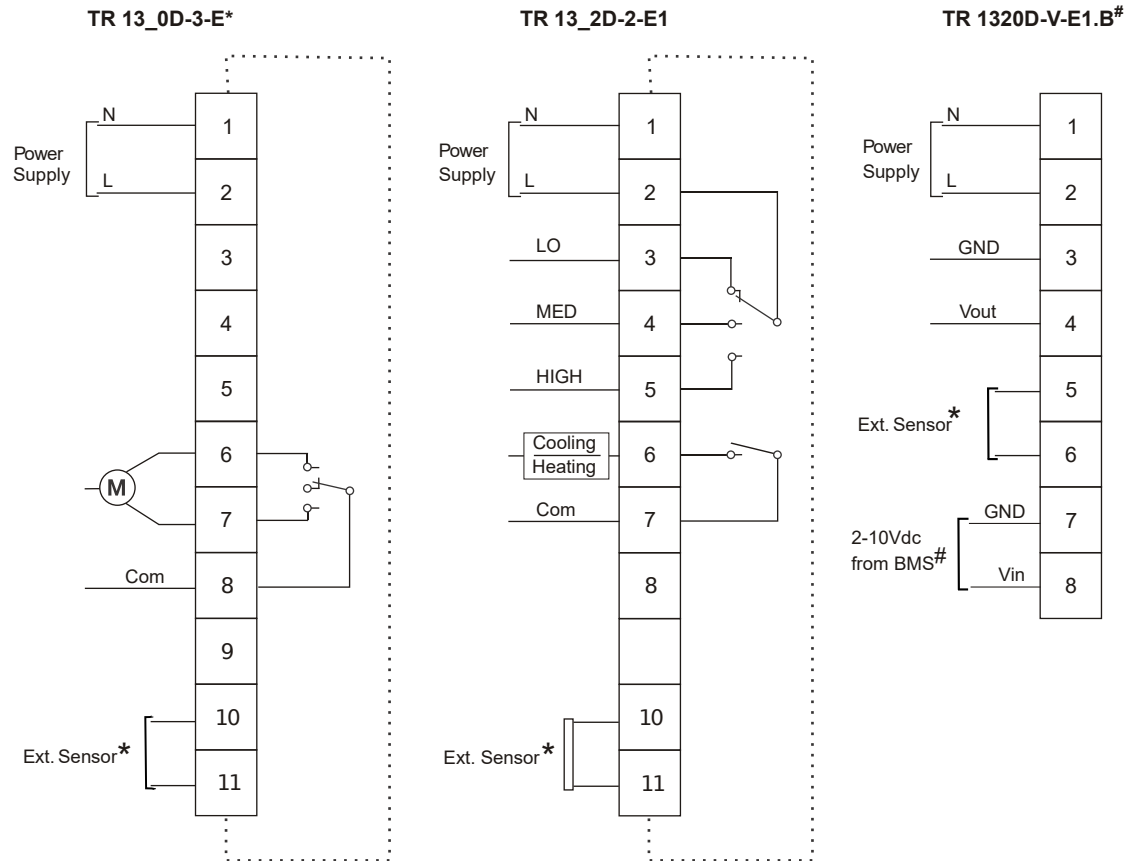
Setting range	:	15°C-35°C adjustable
Sensing element	:	NTC Thermistor
Operating voltage	:	230Vac or 24Vac ±10%
Output control signal	:	2-position, 3-point or 0-10Vdc
Relay rating at 24/230Vac	:	Resistive Load 5A, Inductive Load 3A
Terminals	:	Accept max. 2.5 sq. mm cable
Permissible ambient temp.	:	(-)20°C - (+)40°C
Protection	:	IP 30

MODEL DESIGNATION



- * * With internal Heat/Cool changeover switch
In case of more than one special feature the multiple features shall be specified in the same block i.e. E1.B

WIRING DIAGRAMS



- * applicable to models (E) with external sensor
applicable to models (B) BMS Compatible