

PRESSURE TRANSMITTER



PTX201

PTX201 is suitable for measurement of liquid or gas pressure, even for difficult media such as contaminated water, steam and mild corrosive fluids.

- All stainless steel construction
- Excellent load cycle stability and shock resistance
- 4~20 mA, 2-wire output
- Ranges upto 400 barg
- DIN 43650 plug-in connector
- Higher ranges on request
- Integral LED or LCD display



PRESSURE TRANSMITTER

SPECIFICATIONS

PRESSURE TRANSMITTER	
ELECTRICAL	
Signal output	4~20 mA, 2-wire
Load resistance	600 ohm max at 24V DC
Supply voltage	10~30V DC
Electrical connection	DIN 43650 with plug connector
PERFORMANCE @25 °C (77 °F)	
Accuracy (non-linearity, hysteresis & non-repeatability)	<±0.5% span
Stability (1 year)	±0.25% span
Overrange protection	2X rated pressure
Burst pressure	4X rated pressure
TEMPERATURE	
Compensated range	-30 to 105 °C
Operating	-40 to 125 °C
Storage	-40 to 125 °C
MECHANICAL	
Process connection	1/4" BSP (M)
Diaphragm material	SS316L
Dimensions	See Fig 1
Protection	IP65
OTHER	
Shock resistance	Shock : 200g/1ms; IEC 60068-2-27
	Free falling body : 1m; IEC 60068-2-32
Vibration resistance	Sine curve : 20g, 25Hz~2kHz; IEC 60068-2-6
	Random : 7.5grms, 5Hz~1kHz; IEC 60068-2-64
Service life	>10x10 ⁶ pressure cycles

SPECIFICATIONS

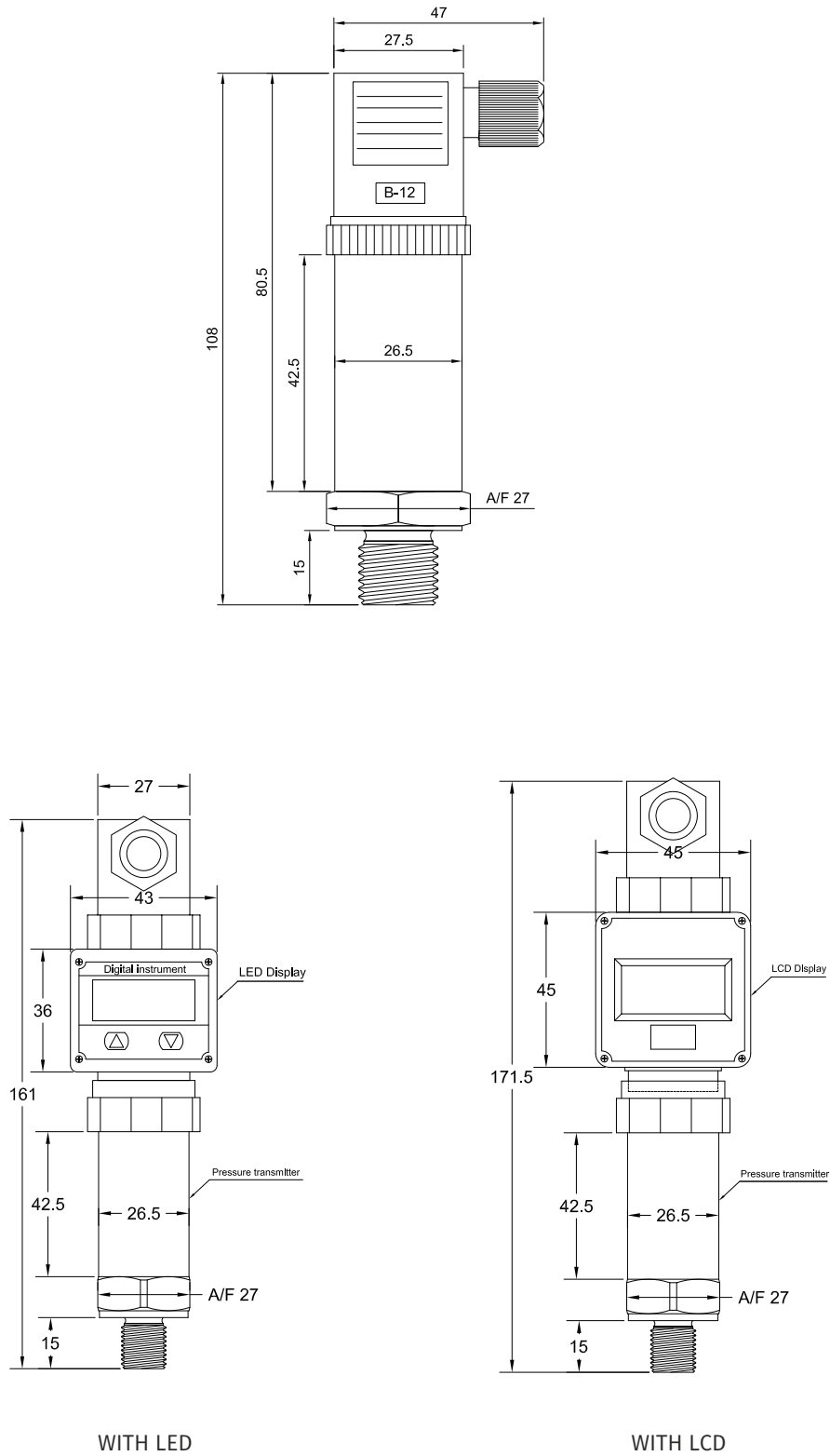
LED DISPLAY MODULE	
Display	4-digit, 0.35" (9.1 mm), 7-segment, red LED
Display range	-1999 to +9999
Accuracy	± 0.1% of span
Loop drop	< 3 V DC
Reverse polarity protection	Provided
Operating temperature	-40 °C to +85 °C
Display update rate	1.8 to 10 times/second
LCD DISPLAY MODULE	
Display	3 ½ digit, 7-segment LCD
Display range	-1999 to +1999
Accuracy	± 0.2% of span
Loop drop	< 3.5 V DC
Reverse polarity protection	Provided
Operating temperature	-20 °C to +60 °C
Display update rate	2.5 times/second

APPLICATIONS

- Industrial process control and monitoring
- Advanced HVAC systems
- Agriculture equipment systems
- Refrigeration systems
- Automotive test stands
- Off-road vehicles
- Pumps and compressors
- Energy generation and management

DIMENSIONS mm

Fig 1



ORDERING INFORMATION

CODE	SPECIFICATION	1	2	3
2304				
1	Range (bar)			
	0 to 1 (Gauge)	G001		
	0 to 4 (Gauge)	G004		
	0 to 6 (Gauge)	G006		
	0 to 7 (Gauge)	G007		
	0 to 10 (Gauge)	G010		
	0 to 16 (Gauge)	G016		
	0 to 20 (Gauge)	G020		
	0 to 25 (Gauge)	G025		
	0 to 30 (Gauge)	G030		
	0 to 40 (Gauge)	G040		
	0 to 100 (Gauge)	G100		
	0 to 160 (Gauge)	G160		
	0 to 400 (Gauge)	G400		
	-1 to 0 (Vacuum)	V000		
	-1 to 3 (Compound)	C003		
	-1 to 5 (Compound)	C005		
	-1 to 6 (Compound)	C006		
	-1 to 9 (Compound)	C009		
	-1 to 10 (Compound)	C010		
-1 to 39 (Compound)	C039			
2	Process Connection			
	1/4" BSP		B14	
	1/2" BSP		B12	
	3/4" BSP		B34	
	1" BSP		B01	
	1/4" NPT		N14	
	1/2" NPT		N12	
	3/4" NPT		N34	
	1" NPT		N01	
	Flange		F01	
	Triclover		T01	
	SMS union		S01	
	3	Special Features		
Flameproof				F
With LED display				D
With LCD display				L
None				N

Order Code Format : 2304-XXXX-XXX-X

Example

Pressure Transmitter, 0 to 10 bar, 4 to 20 mA, 2 wire, 4-Pin L-plug DIN 43 650 (A), 1/4 inch BSP (M), no display
2304-G010-B14-N

ENQUIRIES

Instruments: sales@radix.co.in • + 91 9324934061
Sensors: sensors@radix.co.in • + 91 9321415829
Gauges: gauges@radix.co.in • + 91 8591305907
Automation: automation@radix.co.in • + 91 9320997925
Level: level@radix.co.in • + 91 9324936358
Flow: flow@radix.co.in • + 91 9324936358

RADIX ELECTROSYSTEMS PVT LTD
EL-225, Electronics Zone, TTC Indl. Area, MIDC,
Mahape, Navi Mumbai - 400 710, India
Tel : + 91 8591305907 · gauges@radix.co.in

CAT#807R1/A