



- 0.000-999999 count range with absolute accuracy, 0.06 - 9999 RPM with ultra accuracy of 0.05% of reading
- Upto 2 user programmable relays depending on count
- Programmable setpoints, scale factor and relay modes
- Application : Event counter, Totaliser, Batch counter, RPH, RPM, RPS, Meters/Minute, Mains Frequency, Zero-speed switch, etc.
- Measures upto 5 KHz
- Isolated programmable retransmission output
- Inputs : Proximity switch, voltage pulses, Limit switch, etc.
- Counting modes : Up, down, bi-directional, quadrature

SPECIFICATIONS

All specifications at ambient of 25 °C, unless specified otherwise

INPUTS

Input 1
Input 2
Input types

Count 1 input
Count 2 input (Direction)
a) Proximity switch, photo electric switch, electromagnetic pickup (+12 V DC provided)
b) Limit switch, microswitch, etc. (potential free contact closure)
c) Voltage pulses (5-30 V DC)

Maximum input frequency
Range limits

5 KHz
Rate *
0.001 to 5000 PPS/RPS
0.06 to 9999 PPM/RPM
3.6 to 9999 PPH/RPH
Count/Totaliser
0.000 to 999999

Accuracy

Batch
0 to 999999
Rate : ± 0.05% of reading, ± 2 counts typical

Counting modes

Count/Totaliser/Batch : Absolute
Up (incrementing)
Down (decrementing)
Bi-directional
Quadrature
Gate & reset

Control inputs

INDICATION

Upper display

6 digit, 7 segment 0.39"

Lower display

red LED display
6 digit, 7 segment 0.3"
green LED display

Displayed Parameters
Upper display
Lower display

Counter
Rate, batch, totaliser or setpoint1 as selected by the user

MEMORY

Non volatile, indefinite retention

OUTPUTS

No. of relays
Relay contact type

0, 2
NO-C-NC (RLY1)
NO-C (RLY2)

Relay contact rating
No. of analog outputs
Current output

5A / 230V AC, resistive
1 (current or voltage)
4~20 mA / 0~20 mA / 20~4 mA / 20~0 mA isolated from input
500 ohms

Maximum load for current output

Voltage output
Load for voltage output
Mutual Isolation between Input/Output/Supply

0~10 V / user specified
>10 Kohms
1 KV AC/1 Minute

PROGRAMMABLE PARAMETERS

Modes

Latched ON, OFF at SP
Latched OFF, ON at SP
Time Pulse Repeat
Auto reset

Relay time
Setpoint

0.1 to 99.9 seconds
Programmable from 0 to 999999
Setpoint 2 can be assigned to counter or batch

Lower display parameter

Rate, batch, totaliser or setpoint1 as selected by the user

Scale factor
Base no (b.no)
Exponent (n)

b.no x 10ⁿ
0.00001 to 999999
-5 to 2

Reset

Front panel reset or remote reset

Rate unit *

PPS (hz) / RPS, PPM / RPM, PPH / RPH
0.001 to 2 PPS (hz) / RPS, 0.06 to 120 PPM / RPM, 3.6 to 7200 PPH / RPH

Minimum rate *

1/0.1/0.01/0.001
ON/OFF

Resolution
Setpoint, Program,
Reset lock

* (PPS/PPM/PPH = pulses per second / minute / hour)

OTHER

Keyboard
Enclosure construction

Tactile, 3 keys
Plug-in (circuit removable without affecting terminal wiring)

Dimensions (in mm)

72(H) x 72(W) x 100(D)

Mounting

Panel mount

Panel cutout

68 x 68 mm

Supply voltage

85~265 V AC, 50/60 Hz

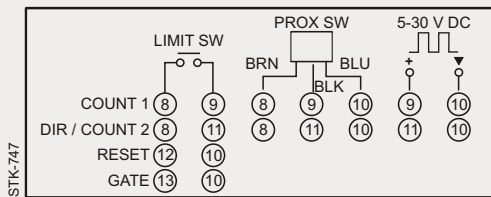
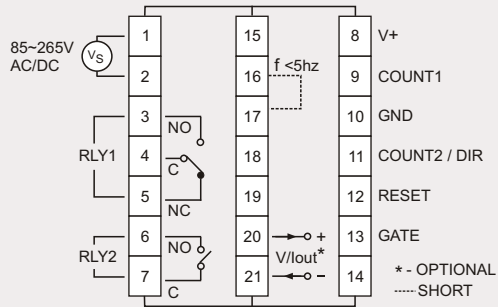
Operating ambient temperature

0~50 °C

Relative humidity

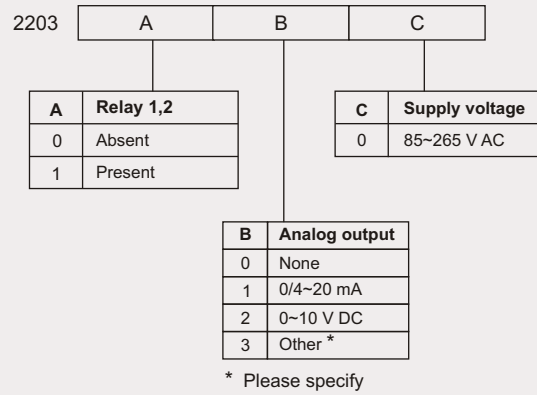
Below 90%, non condensing

CONNECTION DIAGRAM



STIK-747

ORDERING INFORMATION



RADIX ELECTROSYSTEMS PVT LTD
 EL-135/136/137, Electronics Zone
 TTC Indl. Area, MIDC, Mahape
 Navi Mumbai - 400 710, India
 + 91 22 42537777 | sales@radix.co.in

OTHER ENQUIRIES

Instruments sales@radix.co.in
Sensors sensors@radix.co.in
Gauges gauges@radix.co.in
Automation automation@radix.co.in