



ASTRO-SWITCH

FEATURES

- Works on Astronomical principles
- Calculates SUNSET & SUNRISE time based on the earth's orbit around the sun and rotation on its own axis
- Accepts longitude and latitude data to determine location of astro-switch on earth
- Accurate calculation of SUNSET & SUNRISE times on any longitude and between 65° north to 65° south latitude
- PC connectivity through an adapter to program the data
- Data retained in non-volatile memory

BENEFITS

- One time programming at the time of installation
- Automatically changes the switch ON & OFF times based on day length
- No need to change ON/OFF switch times every few days
- Saves power by switching ON the lights just for the right amount of time

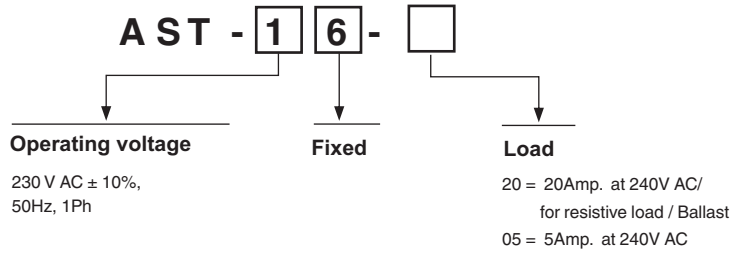
APPLICATIONS

- Street lighting, commercial compound lighting, high-tower avionic lighting
- Decorative / highlight lighting, advertising signage
- Staircases, patios, courtyards, gardens, common living areas

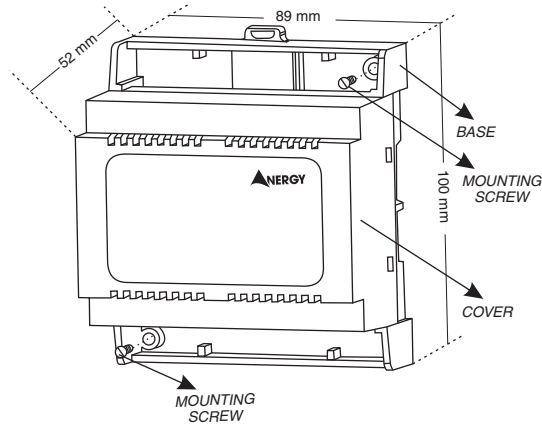
TECHNICAL DATA

Operating voltage	:	230V AC, \pm 10%, 50Hz, 1Ph
Output relay rating at 230V AC	:	Resistive load 5A, (optional 20A)
Terminals	:	Accept Max. 2.5 sq. mm cable
Permissible ambient temp.	:	-20° C to +40° C
Protection	:	IP 30

MODEL DESIGNATION



CONSTRUCTION



1. DIN Rail mounting as per DIN Rail specification (DIN 46277-3)
2. Flush mounting with two screws as shown above

WIRING DIAGRAM

