

CR-22A Cast Iron Butterfly Valve Wafer Type (ISI Marked)

Product Description

HSN 84818030

Product : 'SANT' Cast Iron Butterfly Valve
 Type of Pattern : Short Pattern
 Product Standard : IS:13095
 Pressure / Class / Rating : PN 10/PN 16
 Body Material cum Standard : Cast Iron IS:210 Gr.FG200
 Description : Wafer Type
 Type of Seat : Nitrile / EPDM Lining
 Type of Disc : SS CF8
 Trim : SS AISI-410
 End Details : Suitable insertion between Flanges as per BS 10 Table D/E ANSI B 16.1 Class - 125



Note: Worm gear arrangement for 200mm and Above

Testing & Certification

Ratings:

PN10
 Body Test Pressure : 1.5MPa (218 Psig) Hyd
 Seat Test Pressure : 1.1MPa (160 Psig) Hyd

PN16
 Body Test Pressure : 2.4MPa (348 Psig) Hyd
 Seat Test Pressure : 1.8MPa (261 Psig) Hyd

Our Works' Test Certificate is furnished with every supply.

Application

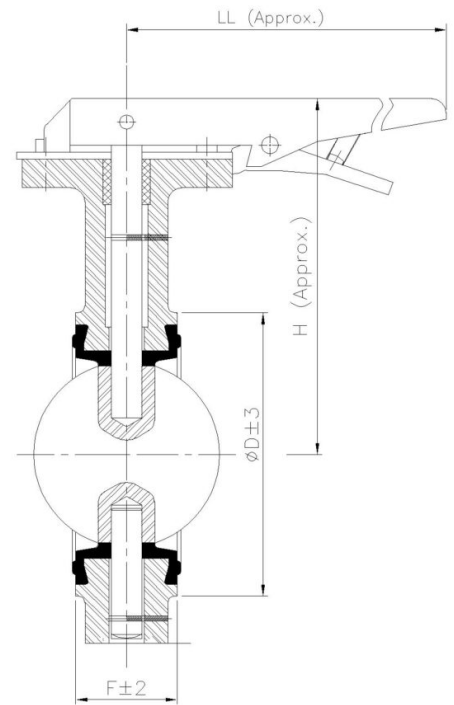
Water

Materials of Construction

Components	Materials	Specifications
Body	Cast Iron	IS:210 Gr.FG260
Disc	Stainless Steel	ASTMA 351 Gr.CF8
Shaft	Stainless Steel	AISI-410/ IS:6603: 12cr12
Seat	Rubber	Nitrile / EPDM Lining
Gear	M.S.	—
Lever / Handwheel	M.S. / D.I.	—

Dimensions (in mm)

Nominal Size	Nominal Size (Inches)	F	ØD	LL (Approx.)	H (Approx.)	ØW (Approx.)
40	1.1/2	33±2	82	175	140	—
50	2	43±2	95	175	145	—
65	2.1/2	46±2	109	175	165	—
80	3	46±2	124	200	175	—
100	4	52±2	150	260	200	—
125	5	56±2	172	260	210	—
150	6	56±2	210	260	245	—



Notes

1. Product images are for illustration purposes only. Actual product may vary.
2. Actual dimensions may change over time, due to continual design improvements. Please confirm before placing order.