

RE-LS6C PA Ceiling Speaker

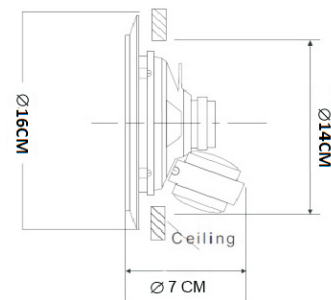


Features

- * Flush mount \varnothing 14cm dynamic cone speaker.
- * Three field selectable power taps.
- * ABS plastic grill with metal punched net.
- * Easy to install with spring catch mount.
- * Connectors with screw for hooking up the wires tightly.
- * Protective dust cover at rear.
- * The white color of the grill has been selected to be obtrusive in virtually all interiors.

Electrical Specification:

Power	: 6W
Tappings 100V line	: 1.5W / 3W / 6W
Sound Pressure Level	: 92dB (1W,1M)
Frequency	: 60-15000Hz
Material	: ABS Plastic
Dimensions	: \varnothing 160 mm, H 70 mm.
Weight	: 1Kg (Approx)



Mounting Detail

Ordering Information

Model	Description
RE-LS6C	PA Ceiling Speaker

India:

RAVEL ELECTRONICS PVT LTD.,
(An ISO 9001 Certified Company)
150A, Electronics Industrial Estate, Perungudi, Chennai - 96 .India.
E-Mail: marketing@ravelfire.com; Web : www.ravelfire.com

United Kingdom:

RAVEL ELECTRONICS LTD.,
Unit 11, Chancel Industrial Estate, Newhall street,
Willenhall WV13 1NX, West Midlands, United Kingdom.
E-mail: info@ravelfire.co.uk ;Web: www.ravelfire.co.uk