

RE-90MB

Modbus convertor For RE-900



Product Overview

★ The RE-90MB modbus convertor interfaces with fire alarm control panel and RS 485 with modbus protocol.

The modbus creates a hierarchical structure that is master & slave. The modbus protocol enables the master device to interrogate the slave devices. It has two types of interrogates, master & slave device with or without waiting for the slave response.

Features

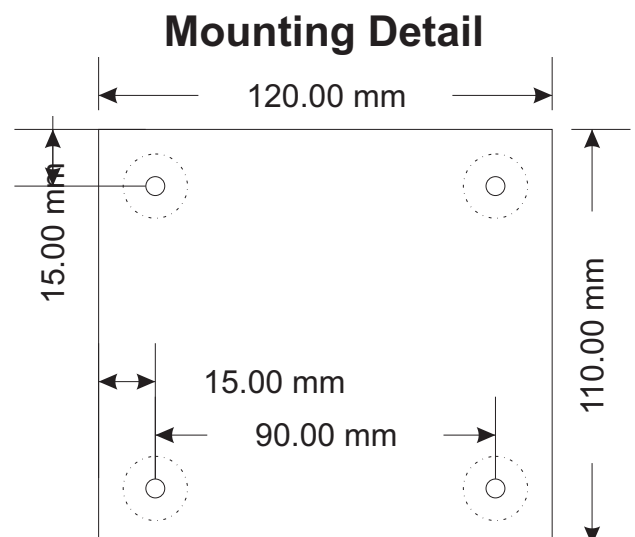
- ★ Gives full status of all detectors, outputs and inputs of FACP.
- ★ Two types of interrogation with Master & slave devices.
- ★ Available as RS485 Interface.

Technical Specification:

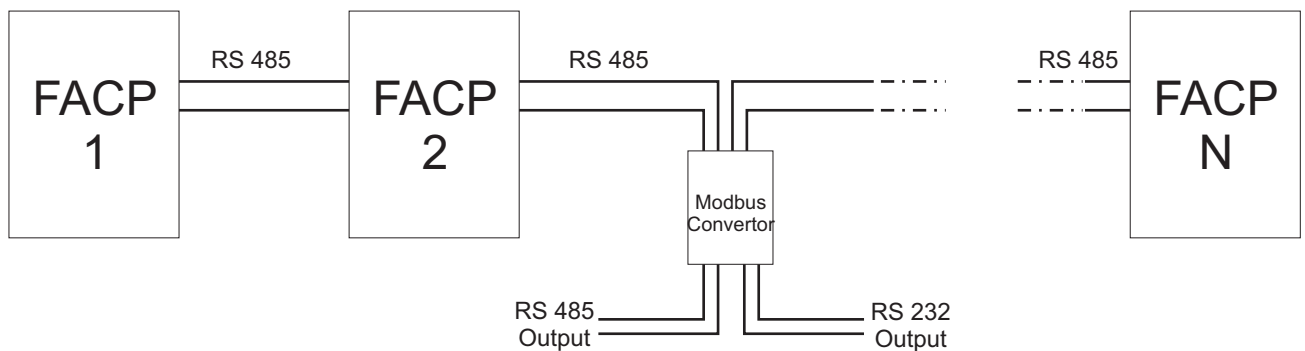
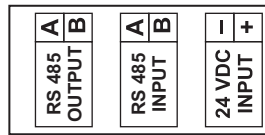
Operating Voltage	:	24 VDC
Operating Temperature	:	0°C to 49°C / 32 to 120°F.
Relative Humidity	:	93 ± 2% RH (non-condensing) at 32 ±2° C/96 ±3° F.
Standby current	:	0.1 Amps Max.
Cabinet Finish	:	Epoxy Powder coated
Communication Interface	:	RS485
IP Rating	:	Ip50

Mechanical Specification:

Size	:	120 X 110 X 60 (L X H X D) mm.
Cable Entry	:	3 X Ø 19mm Knockout in top of the cabinet.
Weight	:	0.5 Kgs.



Wiring Topology:



Compatibility

MODELS	DESCRIPTION
RE-9000 Series	Conventional 12 to 128 Zones Fire Alarm Control Panel

Ordering Information

MODELS	Description
RE- 90MB	Modbus Converter For RE-900

India:

RAVEL ELECTRONICS PVT LTD.,
 (An ISO 9001 Company)
 150A, Electronics Industrial Estate, Perungudi, Chennai - 96 .India.
 E-Mail: marketing@ravelfire.com; Web : www.ravelfire.com

United Kingdom:

RAVEL ELECTRONICS LTD.,
 Unit 11, Chancel Industrial Estate, Newhall street,
 Willenhall WV13 1NX, West Midlands, United Kingdom.
 E-mail: info@ravelfire.co.uk ;Web: www.ravelfire.co.uk