

RE-716SS

SOUNDER / HORN CUM STROBE

General

Conventional Sounder cum strobe is efficient visual and audible dual tone generating device to meet the standards of NFPA72 (2016 edition). Two Audible tone settings continuous/temporal 3 of dB level range between 75dB to 85dB. Four types of visual candela setting output available. Strobe light consists of Hybrid LED. It can be flush / ceiling mounted with / without a back box.

Features

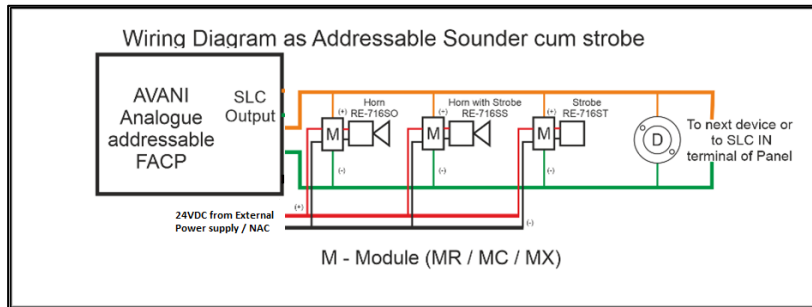
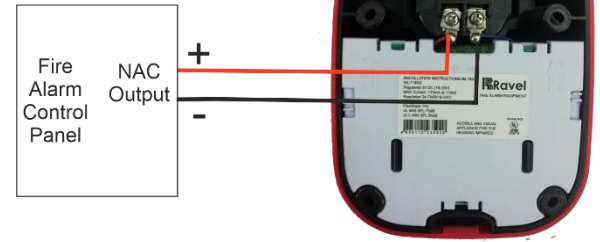
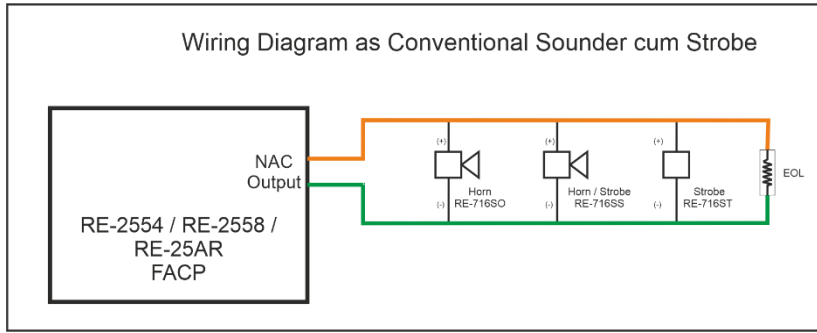
- UL 1971, ULC-S525, UL 464, ULC-S526.
- Low Current Draw.
- Flexible optic design to meet the light dispersion.
- 4 candela settings: 15/30/75/110cd output.
- 2 audible tone settings: Continuous/Temporal 3.
- Slim and Sleek.
- FIRE label visibility for all direction.
- 180° coverage indication
- Used in Fire, Burglar & Emergency Alarm System.



Specification

	Electrical Specification
<i>Light Source & Color</i>	High power cool white LED
<i>Pulse Duration</i>	20ms
<i>Max Current Draw(mA)</i>	67 – 93mA
<i>Flash Rate</i>	1Hz (flash per second)
<i>Operating Voltage</i>	24VDC(16-33VDC) / FWR
<i>Sounder Output</i>	75dB to 85 dB @ 1m
<i>Mounting Options</i>	Standard 4" * 4" back box
<i>Dimension</i>	5.5"L * 4.7"W * 2.0"D(140mmL*120mmW*51mmD)
<i>Wiring Type</i>	2
<i>Material</i>	FR ABS plastic
<i>IP rating</i>	IP 42
<i>Colour</i>	Red
<i>Screw Terminals</i>	#12 to #18 AWG wires

Wiring Details



Compatible Panel

Model	Description
<i>AVANI</i>	Analogue addressable Fire Alarm Control panel expandable upto 4 loop
<i>Avani db</i>	Analogue Addressable Fire Alarm Control panel expandable upto 2 loop
<i>Avani XL</i>	Analogue Addressable Fire Alarm Control Panel expandable upto 8 Loop
<i>RE-25AR</i>	Conventional Agent Release Control Panel
<i>RE-2558/2554</i>	Conventional 8 Zone / 4 Zone Fire Alarm Control Panel

Compatible Device

Model	Description
<i>RE-717MC</i>	Addressable Control Module
<i>RE-717MR</i>	Addressable Relay Module
<i>RE-717MX</i>	Addressable Input Output Module

Ordering Information

Model	Description
RE-716SS	Sounder / Horn Cum Strobe

India

RAVEL ELECTRONICS PVT LTD.,
150A, Electronics Industrial Estate,
Perungudi, Chennai – 96, India.
E-mail: marketing@ravelfire.com; Web: www.ravelfire.com

United Kingdom

RAVEL ELECTRONICS LTD.,
Unit 11, Chancel Industrial Estate, Newhall street,
Willenhall WV13 1NX, West Midlands, United Kingdom.
E-mail: info@ravelfire.co.uk; Web: www.ravelfire.co.uk

USA

RAVEL AMERICAS INC.,
2855 NW 112th Ave ST#2 Miami,
Doral, Florida 33172, USA.