

RE-2APS

2AMPERE EXTERNAL POWER SUPPLY

General

The 2 Ampere external power supply is compact with built-in charger. It may be connect to any 24 Volt Fire alarm control panel or may be stand- alone for the primary applications like Notification Appliance Circuit expansion or auxiliary power to support 24 Volt system accessories. It provides regulated and filtered 24 VDC power to NAC's and it also contains a battery charger capable of charging up to 14Ah batteries.

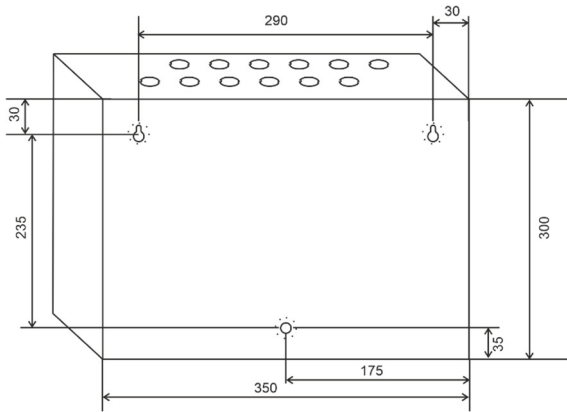
Features

- Operates on 120 - 220 VAC, 60 / 50 Hz +10%, -15% .
- Battery backup with built in charging.
- Low battery visual warning with audible tone.
- DC Output indication.
- Lock and key for authorized access.
- Replaceable Fuse for DC output.
- Auto resettable fuses are provided for AC and battery.

Specification

Electrical Specification	
Mains	120-220 VAC, 60/50 Hz +10%, -15% 100W. Wire size: 1.5 Sq. mm with 600V insulation
Battery (Lead Acid only)	Charging Voltage: 28 VDC +/- 2%. Charging Current: 500mA Max System Quiescent Current: 35mA
Output Voltage	24VDC @ 2A Max. Operating Temperature: 0°C to 49°C / 32° - 120°F. Storage Temperature: 0°C to 60°C.
Mechanical Specification	
Dimension	350 W x 300 H x 100 D (mm)
Weight	7 Kg Max
IP Rating	IP50

Dimensions

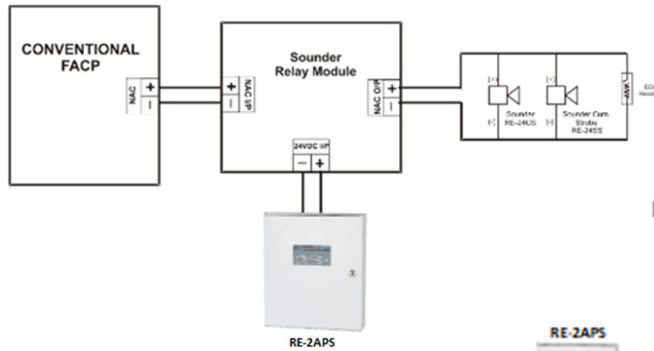


Terminal Detail

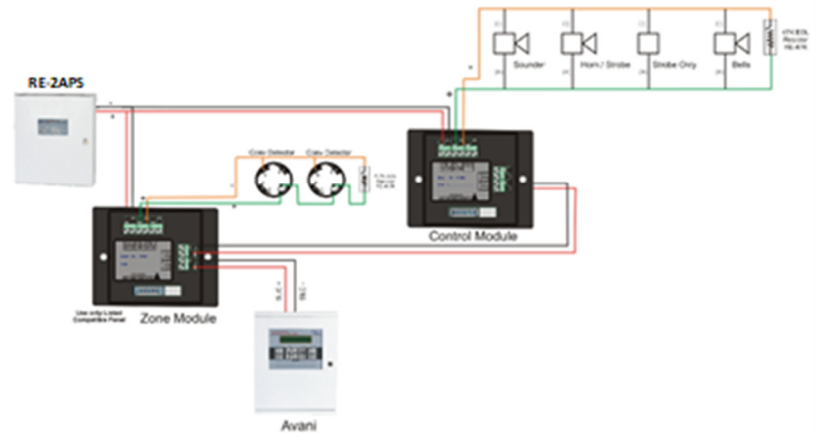
24 VDC Output	-
	+
220V AC Input	P
	N
	E

Wiring Detail

RE-2APS Connected with 24VDC I/P Conventional Sounder Relay Module.



RE-2APS Connected with 24VDC I/P Addressable Module.



Ordering Information

Model	Description
RE-2APS	2 Ampere External Power Supply

India

RAVEL ELECTRONICS PVT LTD.,
150A, Electronics Industrial Estate,
Perungudi, Chennai – 96, India.
E-mail: marketing@ravelfire.com; Web: www.ravelfire.com

United Kingdom

RAVEL ELECTRONICS LTD.,
Unit 11, Chancel Industrial Estate, Newhall street,
Willenhall WV13 1NX, West Midlands, United Kingdom.
E-mail: info@ravelfire.co.uk; Web: www.ravelfire.co.uk

USA

RAVEL AMERICAS INC.,
2855 NW 112th Ave ST#2 Miami,
Doral, Florida 33172, USA.