

CI-1A Cast Iron Globe Valve Flanged (IBR Approved)

Product Description

HSN 84818030

Product : 'SANT' Cast Iron Globe Valve
 Product Standard : BS:5152 / DIN 86251
 Type of Pattern : Straight Pattern
 Pressure / Class / Rating : PN 16
 Body Material cum Standard : Cast Iron IBR 86 to 93 Gr.A
 Description : Bolted Bonnet, Outside Screw & Yoke Type Rising Stem
 Type of Seat : Renewable seat
 Type of Disc : Renewable disc
 Trim : SS AISI-410
 Gland Packing : Expanded Pure Flexible Graphite
 End Details : Flanges as per DIN 2533 RF (PN 16) Undrilled



Testing & Certification

Rating : PN 16
 Body Test Pressure : 26Kg/cm²g (Hyd.)
 Seat Test Pressure : 16Kg/cm²g (Hyd.)
 Backseat Pressure : 16Kg/cm²g (Hyd.)
 Working Pressure : Max BOP 13Kg/cm²g at 220°C Steam

Test Certificate in Form III-C as per IBR is furnished with every supply.

Application

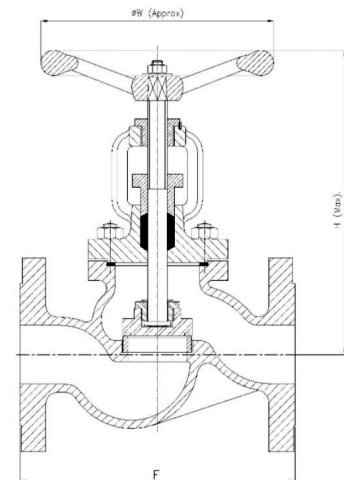
Water	Steam
-------	-------

Materials of Construction

Components	Materials	Specifications
Body, Bonnet, Valve Disc, Gland & Handwheel	Cast Iron	IBR 86 to 93 Gr.A
Body Seat Ring, Valve Disc Ring, Spindle & Check Nut	Stainless Steel	AISI-410
Gasket	Compressed Asbestos	IS:2712 Gr.C
Gland Packing	Expanded Pure Flexible Graphite	—
Fasteners	Mild Steel	—
Yoke Bush	Aluminum Bronze	—

Dimensions (in mm)

Nominal Size	Nominal Size (Inches)	F	H (Open)	ØW (Approx.)
15	1/2	130±1	180	125
20	3/4	150±1	190	125
25	1	160±1	200	125
32	1.1/4	180±1	225	125
40	1.1/2	200±1	250	160
50	2	230±2	260	160
65	2.1/2	290±2	315	200
80	3	310±2	350	200
100	4	350±2	410	250
125	5	400±3	455	250
150	6	480±3	530	315
200	8	600±3	600	400



Notes

1. Product images are for illustration purposes only. Actual product may vary.
2. Actual dimensions may change over time, due to continual design improvements. Please confirm before placing order.